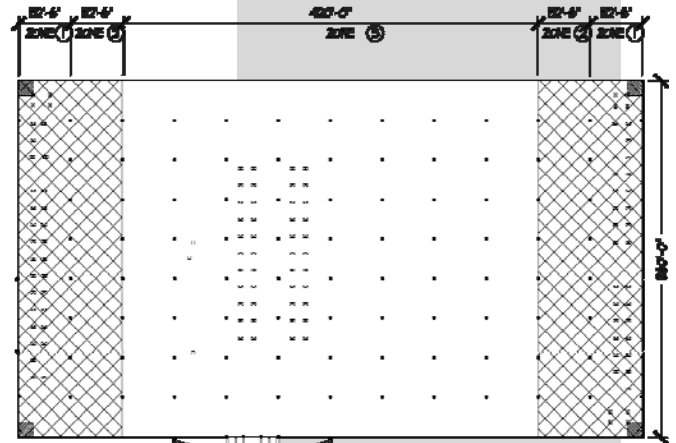
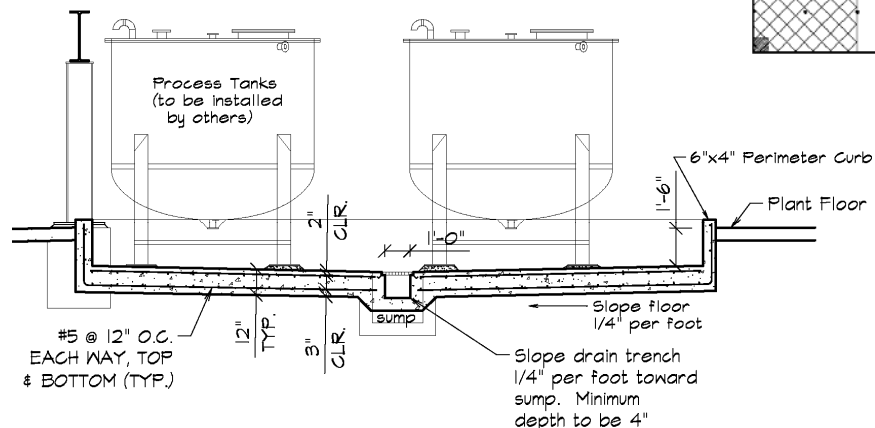




Ecolab Shenandoah Plant

Just inside the main entrance (rendered above) is a 10,000 ft² second floor office. Another elevated office near shipping and a silo mezzanine bring the total floor area to 241,500 ft². The remainder of the facility is open with at least 28'-0" between roof framing and concrete floor. Truck loading docks are built in to north and south walls for receiving raw materials and shipping finished products, respectively.

Structural Concepts, Inc. was responsible for the design of all structural elements, including reinforcing and detailing for the concrete tilt-up wall panels, which support roof framing and brace the structure against lateral movement. Contract drawings include foundations for truck scales, spill containment walls for tanks, and support bridges for piping, all of which were coordinated with owner provided equipment. Connected structures include small roofs over the trash compactor, truck scales, and tanker unloading area.



Ecolab

Location: Martinsburg,
West Virginia

General Contractor:
Howard Shockey and
Sons, Inc.,
Winchester, VA

Completion Date:
December 2000

Area: 228,000 ft²

Wall System: tilt-up concrete

Roof System: steel joists on
steel joist girders

Lateral System: expansion
joint divides building into
two, 3-sided boxes; tilt-up
panels are shear walls